

TRI-CITY VINYL, INC.

640 E. Morley Drive

P.O. Box 3301

Saginaw, MI 48605

PHONE: 800-334-9949

Fax: 800-968-2720



Ordered by: _____ Acct. # _____

Company Name: _____

Address: _____

City: _____ State: _____

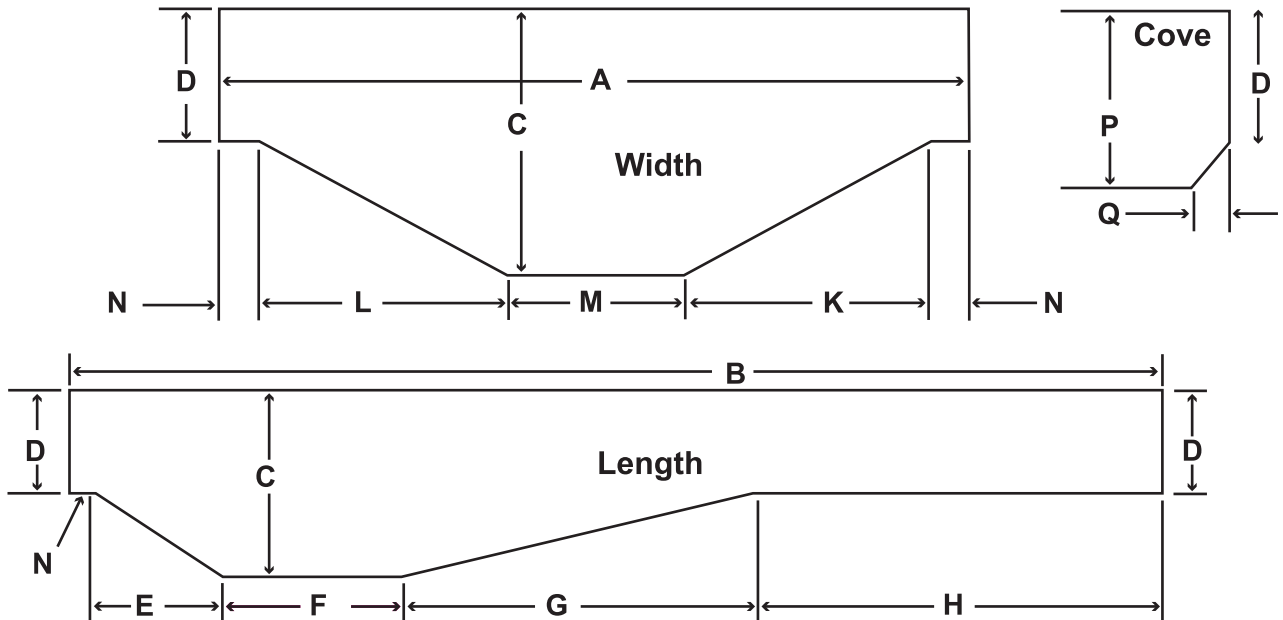
Zip: _____ Phone: _____

Shipping Instruction: _____ Date: _____

Warranty # _____ Size: _____ Price: _____
 Millage: _____ Type of Corner: _____ P.O. # _____
 Wall Material: _____ Bead: _____ Mark Box: _____
 Bottom Material: _____ Overlap: _____

STANDING AT SHALLOW LOOKING TOWARDS DEEP END

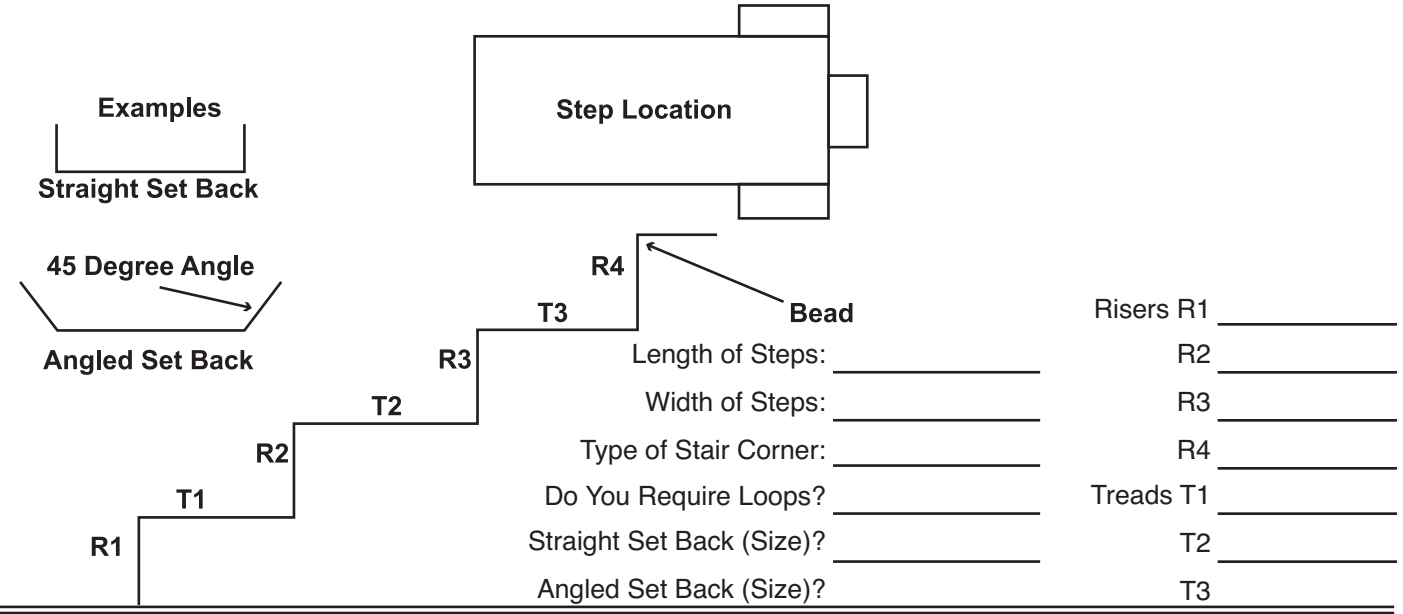
Width (A): _____ Rectangle: _____
 Length (B): _____ Oval: _____
 Depth (C): _____ Grecian: _____ Grecian Hopper: _____
 Wall Height (D): _____ Square Hopper: _____
 Back Slope (E): _____ Long Wall: _____
 Hopper Length (F): _____ End Wall: _____
 Transition Slope (G): _____ Wedge: _____
 Shallow End (H): _____ Octagon: _____
 Side Slope (Right, K): _____ Constant Slope: _____
 Side Slope (Left, L): _____ Other: _____
 Hopper Width (M): _____ Steps: _____
 Safety Ledge (N): _____ Comments: _____
 Shallow End Depth (P): _____ (If Needed) _____
 Size of Cove (Q): _____ (If Needed) _____



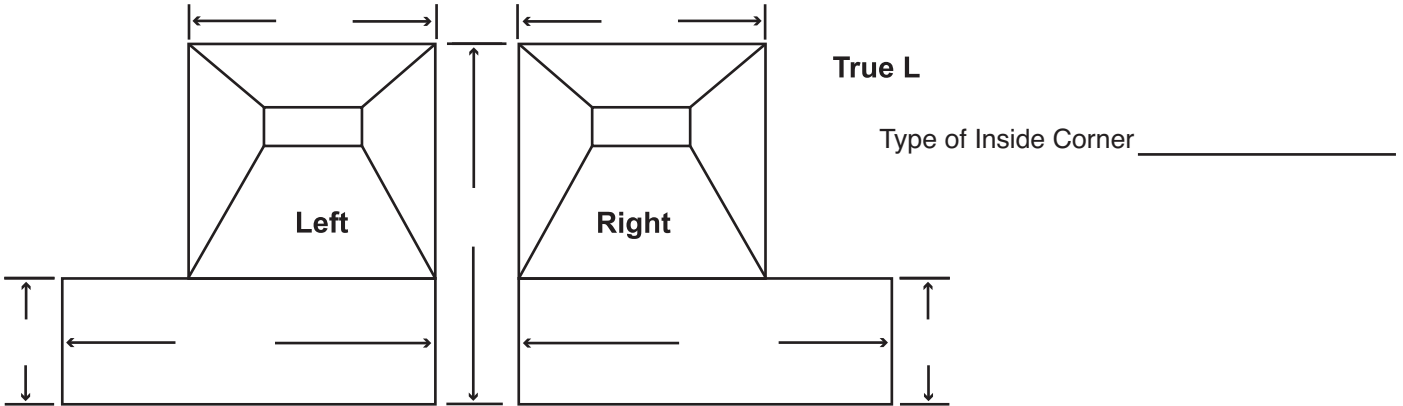
FOR STEPS, TRUE L, AND LAZY L POOLS USE BACK OF FORM

Ordered by: _____
 Company Name: _____
 P.O.# _____
 Mark Box: _____
 Warranty # _____

COMMENTS: _____



STANDING AT SHALLOW LOOKING TOWARDS DEEP END



STANDING AT SHALLOW LOOKING TOWARDS DEEP END

