



TRI-CITY VINYL, INC.

640 E. Morley Drive
 P.O. Box 3301
 Saginaw, MI 48605
 989 / 754-5499
 800 / 334-9949

FAX 800 - 968-2720

Ordered by _____ Acct. # _____

Company Name _____

Address: _____

City _____ State: _____ Zip: _____

Phone _____

Shipping Instructions _____

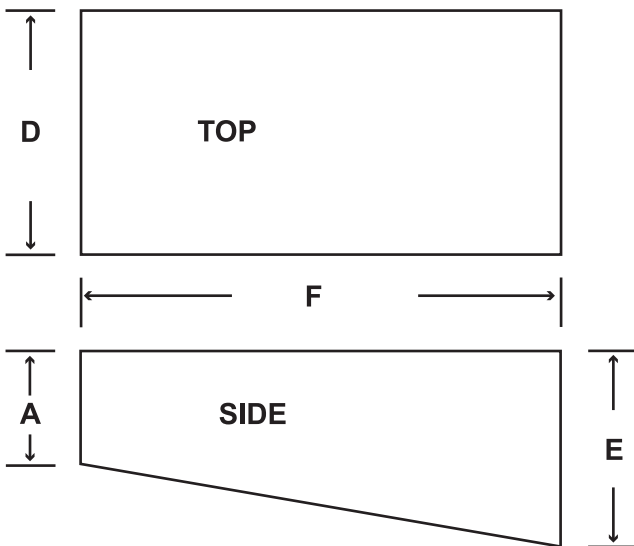
TCV # _____

ALL ORDERS FROM THIS FORM MUST BE ACCOMPANIED WITH COMPLETED FORM.

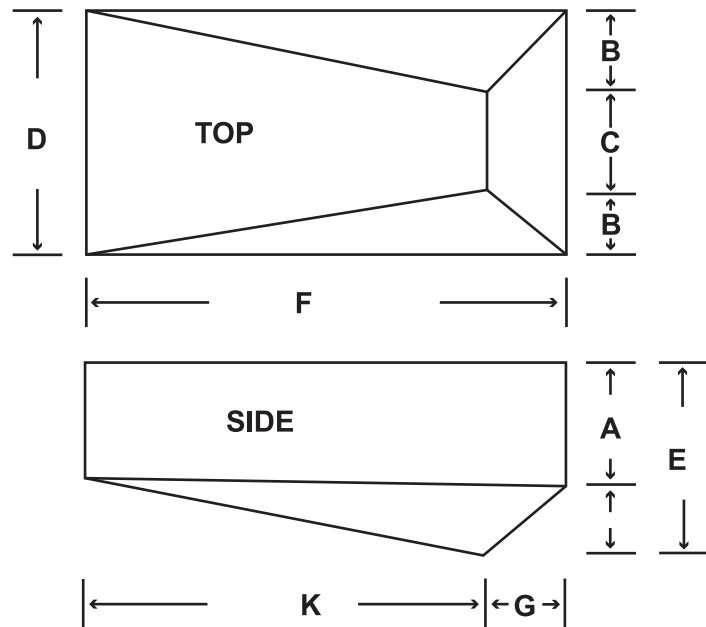
***** Supplementary Order Information Page*****

ALL LETTERS CORRESPOND WITH MAIN ORDER FORM

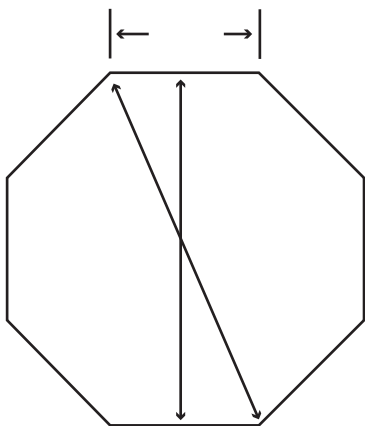
CONSTANT SLOPE



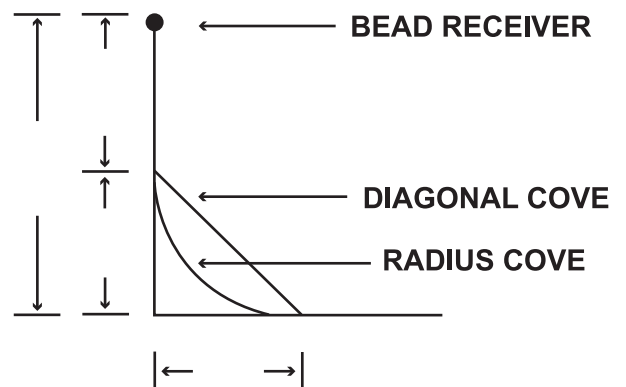
WEDGE



OCTAGON

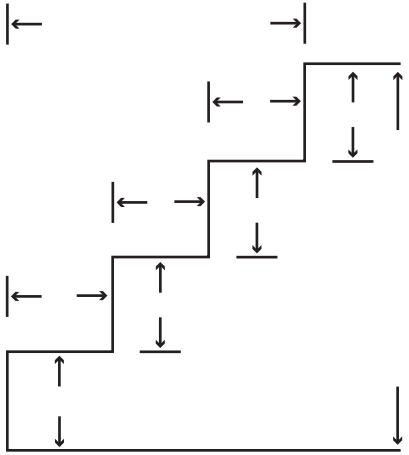


FOR POOLS THAT HAVE COVE ON WALLS



**MUST HAVE POINT TO POINT & FLAT TO FLAT
 ALSO OUTSIDE FLAT**

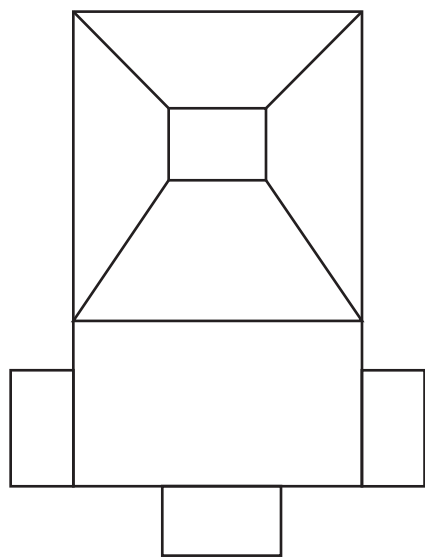
STAIR MEASUREMENTS



1. ARE STAIR CORNERS SQUARE OR RADIUS? _____
2. IS BOTTOM STEP FLUSH WITH WALL? _____
3. IF NO TO #2, HOW FAR IS SET BACK _____
4. DO YOU REQUIRE LOOPS? _____
5. LENGTH & WIDTH OF STEPS? _____

_____ LENGTH
 _____ WIDTH

NOTE: ALL RADIUS AND FREE FORM STEPS REQUIRE TEMPLATES.



CIRCLE STAIR LOCATION

